

**Choice of 1560 mm or
2000 mm lift height**

Multi-function tiller head

Low-mounted ergonomic tiller

Enclosed truck contours

Integrated charger



EMC 110/EMC B10

Electric pedestrian stacker (1000 kg)

The Jungheinrich electric pedestrian stacker EMC 110/EMC B10 combines performance efficiency and operator friendliness in one attractive design. It provides a multitude of utilisation possibilities for practically any application. For example: depositing goods on racking or feeding machines. Palletised goods are simply lifted to the required picking height and are then deposited in the racking without stressing the back or taken from the pallet.

The effortless handling of the EMC is facilitated by a number of ergonomic advan-

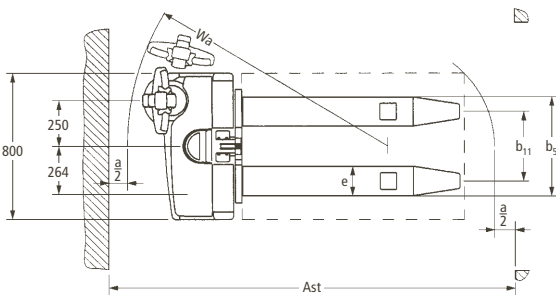
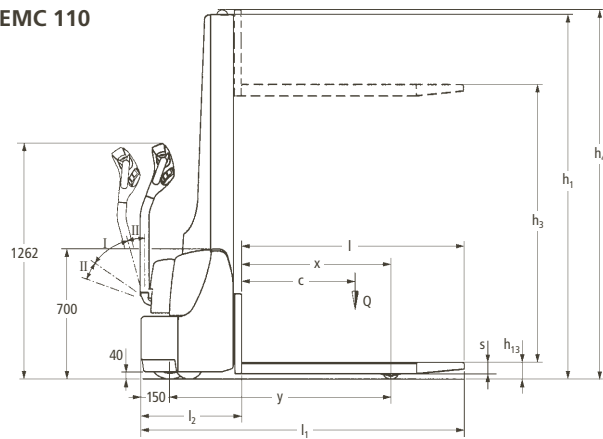
tages: The long tiller provides the operator with low steering forces and a high safety factor at the same time. All travel and lift functions are easily accessible from the multi-function lever. The narrow front length (531 mm) of the EMC ensures effortless operation even in confined spaces.

Recharging the EMC is also effortless by means of its integrated charger that can be connected to any 230V mains socket. The battery discharge indicator continuously displays the battery condition.

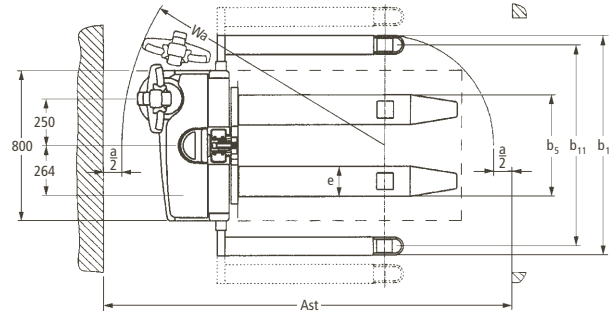
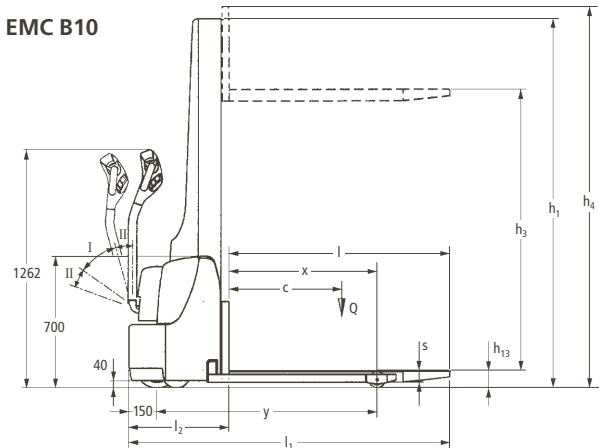
Various accessories are also available. Example: During replenishing or order picking operations, the automatic lift positioning always keeps goods at a height that is gentle on the back. The EMC is able to pick up perimeter board pallets. If fitted with an FEM fork carriage, a great variety of attachments can be mounted, which enables the truck to be utilised in an even broader application range.

EMC 110/EMC B10

EMC 110



EMC B10



Technical Data in line with VDI 2198 as at: 05/2007

Identification	1.1	Manufacturer (abbreviation)	Jungheinrich	Jungheinrich	Jungheinrich	Jungheinrich	1.1
	1.2	Manufacturer's type designation	EMC 110	EMC 110	EMC B10	EMC B10	1.2
	1.3	Drive (electric – battery or mains, diesel, petrol, fuel gas, manual)	electric	electric	electric	electric	1.3
	1.4	Type of operation (hand, pedestrian, standing, seated, order picker)	pedestrian	pedestrian	pedestrian	pedestrian	1.4
	1.5	Load capacity/rated load Q (t)	1	1	1	1	1.5
	1.6	Load centre distance c (mm)	600	600	600	600	1.6
	1.8	Load distance, centre of drive axle to fork x (mm)	790	790	790	790	1.8
	1.9	Wheelbase y (mm)	1170	1170	1170	1170	1.9
	Weights	2.1	Service weight incl. battery (see line 6.5) kg	430	460	560	590
2.2		Axle loading, laden front/rear kg	480/950	500/960	530/1030	550/1040	2.2
2.3		Axle loading, unladen front/rear kg	320/110	340/120	410/150	430/160	2.3
Wheels, Chassis	3.1	Tyres (solid rubber, superelastic, pneumatic, polyurethane)	Topthane	Topthane	Topthane	Topthane	3.1
	3.2	Tyre size, front	230 x 80	230 x 80	230 x 80	230 x 80	3.2
	3.3	Tyre size, rear	85 x 70	85 x 70	85 x 70	85 x 70	3.3
	3.4	Additional wheels (dimensions)	150 x 50	150 x 50	140 x 54	140 x 54	3.4
	3.5	Wheels, number front/rear (x = driven wheels)	1x/2	1x/2	1x/2	1x/2	3.5
	3.6	Track width, front b ₁₀ (mm)	514	514	514	514	3.6
	3.7	Track width, rear b ₁₁ (mm)	380	380	1070/1370 ¹⁾	1070/1370 ¹⁾	3.7
Basic Dimensions	4.2	Lowered mast height h ₁ (mm)	1970	2405	1970	2405	4.2
	4.3	Free lift h ₂ (mm)	1527	1977	1527	1977	4.3
	4.4	Lift height h ₃ (mm)	1560	2000	1560	2000	4.4
	4.5	Extended mast height h ₄ (mm)	2003	2438	2003	2438	4.5
	4.9	Height of tiller in drive position min./max. h ₁₄ (mm)	859/1154	859/1154	859/1154	859/1154	4.9
	4.15	Lowered height h ₁₃ (mm)	90	90	90	90	4.15
	4.19	Overall length l ₁ (mm)	1706	1706	1706	1706	4.19
	4.20	Length to face of forks l ₂ (mm)	531	531	531	531	4.20
	4.21	Overall width b ₁ /b ₂ (mm)	800/–	800/–	1170/1470 ¹⁾	1170/1470 ¹⁾	4.21
	4.22	Fork dimensions s/e/l (mm)	60x160x1175	60x160x1175	60x160x1175	60x160x1175	4.22
	4.25	Width over forks b ₅ (mm)	540	540	540	540	4.25
	4.32	Ground clearance, centre of wheelbase m ₂ (mm)	30	30	30	30	4.32
	4.33	Aisle width for pallets 1000x1200 crossways Ast (mm)	2241	2241	2340	2340	4.33
	4.34	Aisle width for pallets 800x1200 lengthways Ast (mm)	2178	2178	2190	2190	4.34
	4.35	Turning radius Wa (mm)	1405	1405	1405	1405	4.35
Performance Data	5.1	Travel speed, laden/unladen km/h	3.5/4.0	3.5/4.0	3.5/4.0	3.5/4.0	5.1
	5.2	Lift speed, laden/unladen m/s	0.08/0.11	0.08/0.11	0.08/0.11	0.08/0.11	5.2
	5.3	Lowering speed, laden/unladen m/s	0.20/0.07	0.20/0.07	0.20/0.07	0.20/0.07	5.3
	5.7	Gradient performance, laden/unladen %	3.6/10	3.6/10	3.6/10	3.6/10	5.7
	5.10	Service brake	electric friction brake	electric friction brake	electric friction brake	electric friction brake	5.10
E-Motor	6.1	Drive motor rating S ₂ 60 min. kW	0.35	0.35	0.35	0.35	6.1
	6.2	Lift motor rating at S ₃ 15% kW	1	1	1	1	6.2
	6.3	Battery acc. to DIN 43531/35/36 A, B, C, no	no	no	no	no	6.3
	6.4	Battery voltage, nominal capacity K ₅ V/Ah	2x 12/60	2x 12/60	2x 12/60	2x 12/60	6.4
	6.5	Battery weight kg	46	46	46	46	6.5
Others	8.1	Type of drive control	impulse	impulse	impulse	impulse	8.1
	8.4	Sound level at driver's ear according to EN 12053 dB(A)	70	70	70	70	8.4

1) 6x50 mm adjustments on support arms

Make use of the advantages



Order picking in food store with the EMC 110

- Entire operation via the tiller.
- Differently shaped control buttons for lifting and lowering: the operator feels the operation he controls and is able to fully concentrate on the load during stacking and retrieval.

Compact construction

The EMC is a particularly compact pedestrian stacker. A front length of only 531 mm and the low truck weight of 430 kg (EMC 110 with 1560 mm lift height) facilitate applications in confined spaces, in the lift and on mezzanines.



Barrel pick-up with EMC B10

Safe and comfortable stacking and retrieval

All lifting and lowering functions are easily controlled with the tiller. This not only eliminates the usual reaching round to levers on the chassis, it also puts the operator in the optimal position towards the load. Other advantages:

- Precise depositing of loads in the racking. The lowering speed is electro-hydraulically controlled via button on the tiller head.
- Long tiller provides safe distance between operator and truck.
- Automatic lift height adjustment through "intelligent" lift positioning (optional).

Everything under control

Clear control instruments and effortless operation keep the EMC under control at any time:

- Battery discharge indicator.
- State of charge control light.
- Clear colour system on the tiller.



EMC B10 with FEM fork carriage (optional) and forged forks

Wide track version EMC B10

- Ideal for picking up perimeter board pallets.
- Utilisation of attachments (e.g. crane hooks or barrel turners) because of FEM fork carriage (optional).

Reduced maintenance

Service-friendly components ensure a long-term reduction in maintenance costs:

- Quick access to components through one-piece front cover.
- 2-year warranty on drive motor.

Long operating times

The battery facilitates long operating times.

- Maintenance-free 12 V/60 Ah block battery.
- Integrated 12 V/10 A charger for simple recharge at any 230 V mains socket.

Extensive additional equipment

- Tandem load rollers.
- Weighing device.
- Signal horn instead of buzzer.
- Automatic lift positioning for readjusting lift height.
- Automatic lift stop.
- Roller bed (EMC B10).
- Barrel turner (EMC B10).
- Crane hook (EMC B10).

Other attachments on request.

Jungheinrich UK Ltd.

Head Office:

Sherbourne House · Sherbourne Drive
Tilbrook · Milton Keynes MK7 8HX
Phone 01908 363100
Fax 01908 363180

info@jungheinrich.co.uk
www.jungheinrich.co.uk

Jungheinrich AG
ISO 9001, ISO 14001
Certification of Quality and
Environment Management.



Jungheinrich trucks
conform to the European
Safety Requirements.



JUNGHEINRICH
Well worthwhile